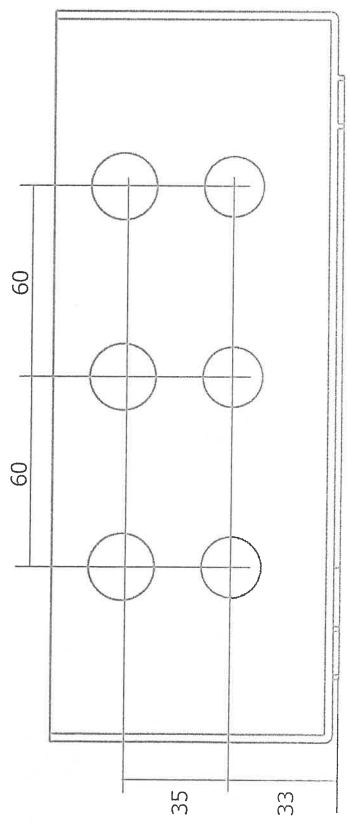


315

235

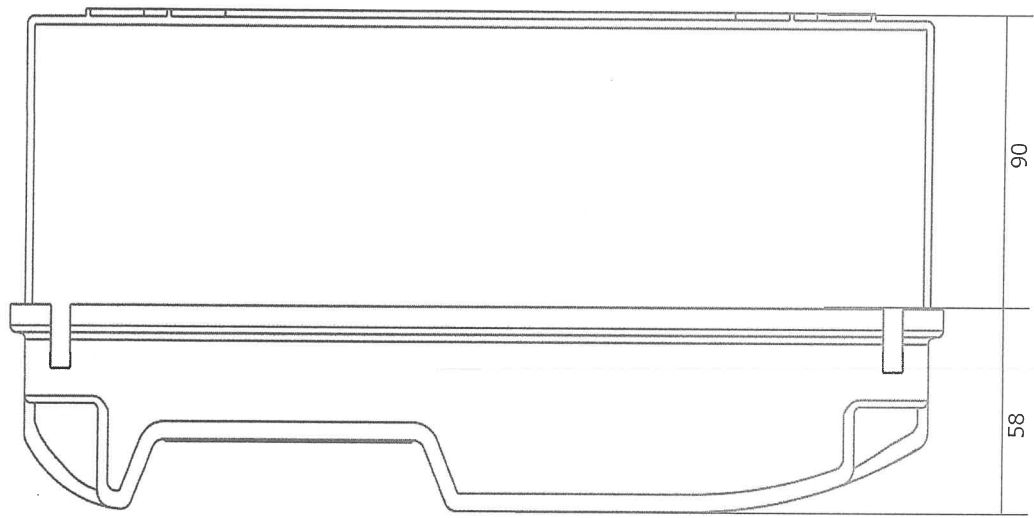


35

60

60

33

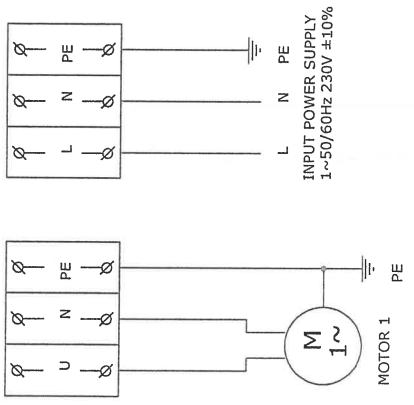


58

90

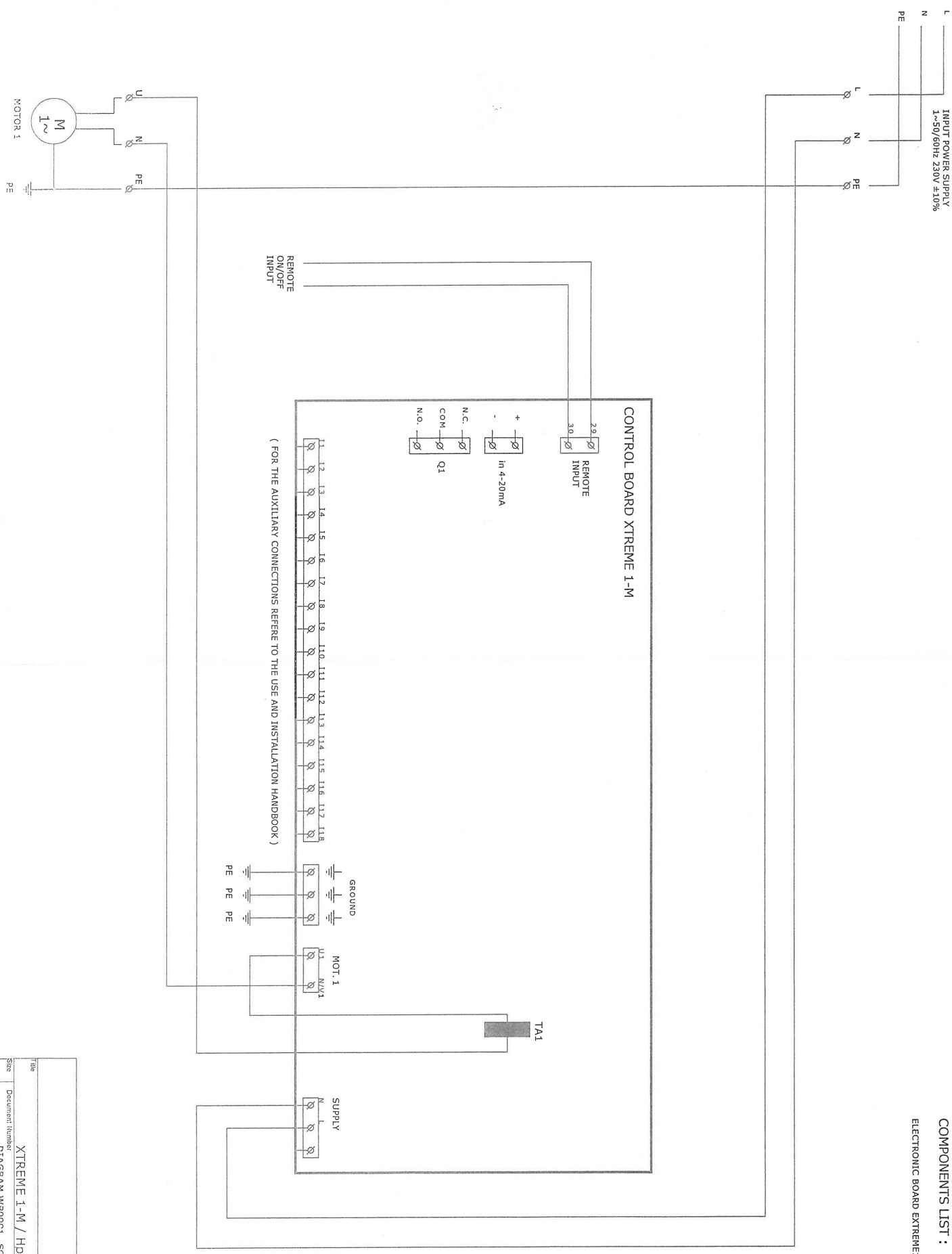
Title		XTREME I-M / HD	
Size	Document Number	Rev	
	DIAGRAM WP0001 . SCH	01	
Date	Version	Sheet	of
Monday, October 14, 2013	3	3	2

CONNECTIONS



Title		XTREME 1-M / HD	
Size	Document Number	Rev	Cr
	DIAGRAM WP0001 . SCH		
Date	March 20, 2019	Sheet	2 of 3

COMPONENTS LIST :
ELECTRONIC BOARD EXTREME1-M



File	XTREME 1-M / HD
Size	Document Number
DATE	30/08/2014 14:20:19
Sheet	DIAGRAM W/P0001 . SCH
Rev	01
Sheet	1 of 3